

# 3031, 3051 SERIES

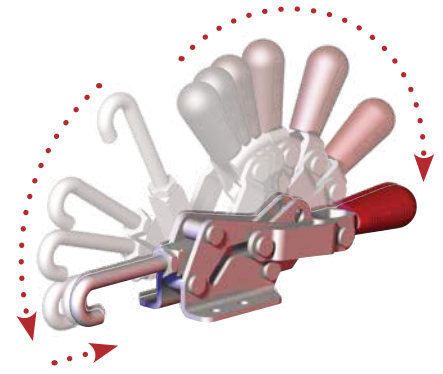
## Pull Action Latch Clamps | Product Overview

### Features:

- Safe, single handed operation
- Innovative controlled motion
- Secure toggle locking action
- Simple set-up and adjustment
- Clamp hook/arm moves and stays safely out of the way

### Applications:

- Molding
- Closures for doors, lids, covers
- Assembly
- Checking fixtures



3031 ⓘ  
3031-SS



3031-R ⓘ  
3031-RSS ⓘ  
with DESTACO®  
Toggle Lock  
Plus™



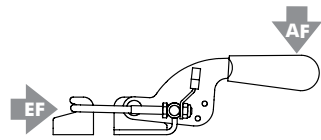
3051  
3051-SS



3051-R  
3051-RSS  
with DESTACO®  
Toggle Lock  
Plus™



## Technical Information | Holding Capacities | Dimensions



Model	Max. Holding Capacity	Weight	EF:AF	Drawing Movement	Replacement Hook Assembly	Hook Adj. Range
3031 ⓘ	900N [200lbf]	0,30kg [0.65lb]	12:1	12,7 [0.50]	3031208	10 [0.39]
3031-R ⓘ					3031808	
3031-SS					3031808	
3031-RSS ⓘ	6700N [1500lbf]	0,50kg [1.0lb]	12:1	19,1 [0.75]	3051208	14 [0.55]
3051					3051808	
3051-R					3051808	
3051-SS					3051808	
3051-RSS						

ⓘ Coming Soon

# 3031, 3051 SERIES

## Pull Action Latch Clamps | Product Overview

3031 ⓘ  
3031-SS



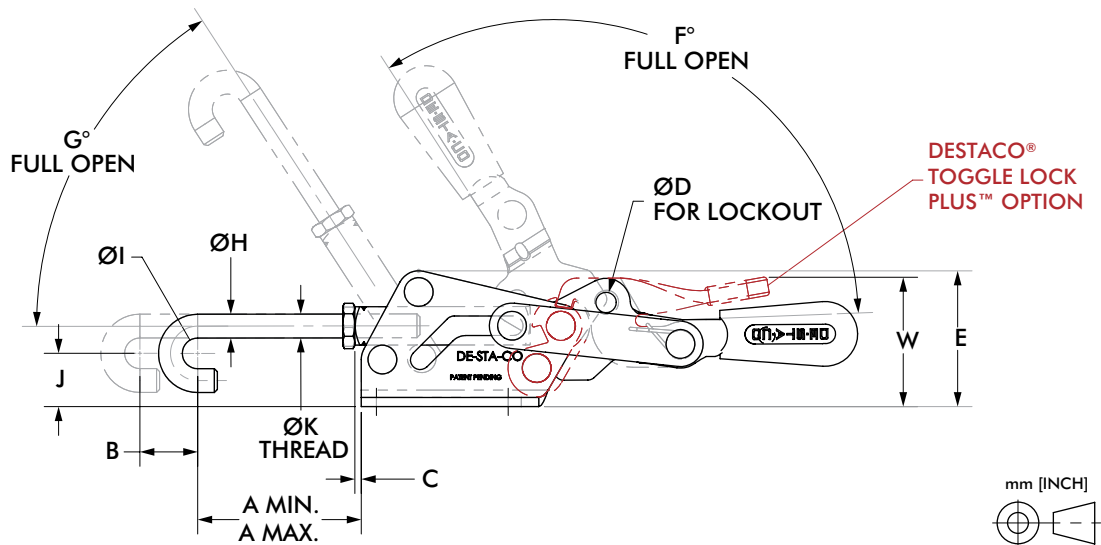
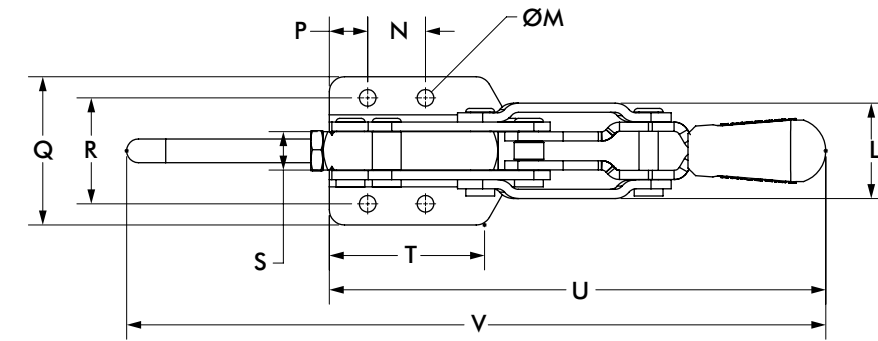
3031-R ⓘ  
3031-RSS ⓘ



3051  
3051-SS



3051-R  
3051-RSS



DESTACO®  
TOGGLE LOCK  
PLUS™ OPTION

mm [INCH]  
THIRD ANGLE  
PROJECTION

Model	A min.	A max	B	C	D	E	F	G	H	I	J	K
3031 ⓘ												
3031-SS	[1.62]	[2.02]	[.50]	[.16]	[.19]	[1.35]	123°	50°	[.17]	[.32]	[.48]	M5x0.8
3031-R ⓘ	41,25	51,25	12,5	4,1	Ø4,7	34,3			Ø4,4	Ø8,1	12,1	
3031-RSS ⓘ												
3051												
3051-SS	[1.99]	[2.50]	[.75]	[.08]	[.27]	[1.77]	123°	57°	[.31]	[.39]	[.69]	M8x1.25
3051-R	50,6	63,6	19,1	2,1	Ø6,7	44,9			Ø8,0	Ø10	17,6	
3051-RSS												

Model	L	M	N	P	Q	R	S	T	U	V	W
3031 ⓘ											-
3031-SS	[1.12]	[.22]	[.75]	[.38]	[1.69]	[1.22]	[.38]	[1.65]	[5.71]	[8.06]	-
3031-R ⓘ	28,4	Ø5,5	19,1	9,5	43	31,1	9,5	42	145,1	204,8	[1,77]
3031-RSS ⓘ											44.8
3051											-
3051-SS	[1.24]	[.22]	[.75]	[.50]	[1.93]	[1.38]	[.50]	[2.03]	[6.47]	[8.98]	-
3051-R	31,4	Ø5,5	19,1	12,7	49	35	12,7	51,5	164,4	228	[1.68]
3051-RSS											42,7

ⓘ Coming Soon